



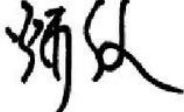
SPECIFICATION

MODEL : IL07BL(R)0748AAE

SMD ISOLATOR

PARTRON

22-6, SEOKWOO-DONG, HWASEONG-SI,
GYEONGGI-DO, KOREA, 445-170

By designed	By checked	By approved
		

1. APPLICATION

This specification cover the SMD isolator used in _____.

2. PART No.

IL 07 B L(R) 0748 AA E

IL : Isolator Group
07 : Size [7*7*2.0t]
B : Fabrication condition
L(R) : Signal direction
0748 : Center frequency [748MHz]
AA : Fabrication condition
E : Embossed plastic reel

3. LOT No.

S 3 3

S : Partron co., Ltd.
3 : Year [3 : 2003 4 : 2004]
3 : Month [1:JAN 9:SEP O:OCT N:NOV D:DEC]

4. TEST CONDITION

4-1 Typical condition

Temperature : 25 ± 5 °C
Humidity : 65 %RH

4-2 Standard condition

Temperature : 5 ~ 35°C
Humidity : 45 ~ 85 %RH

5. TEMPERATURE RANGE

5-1 Operating : -35 ~ 85°C

5-2 Storage : -35 ~ 85°C

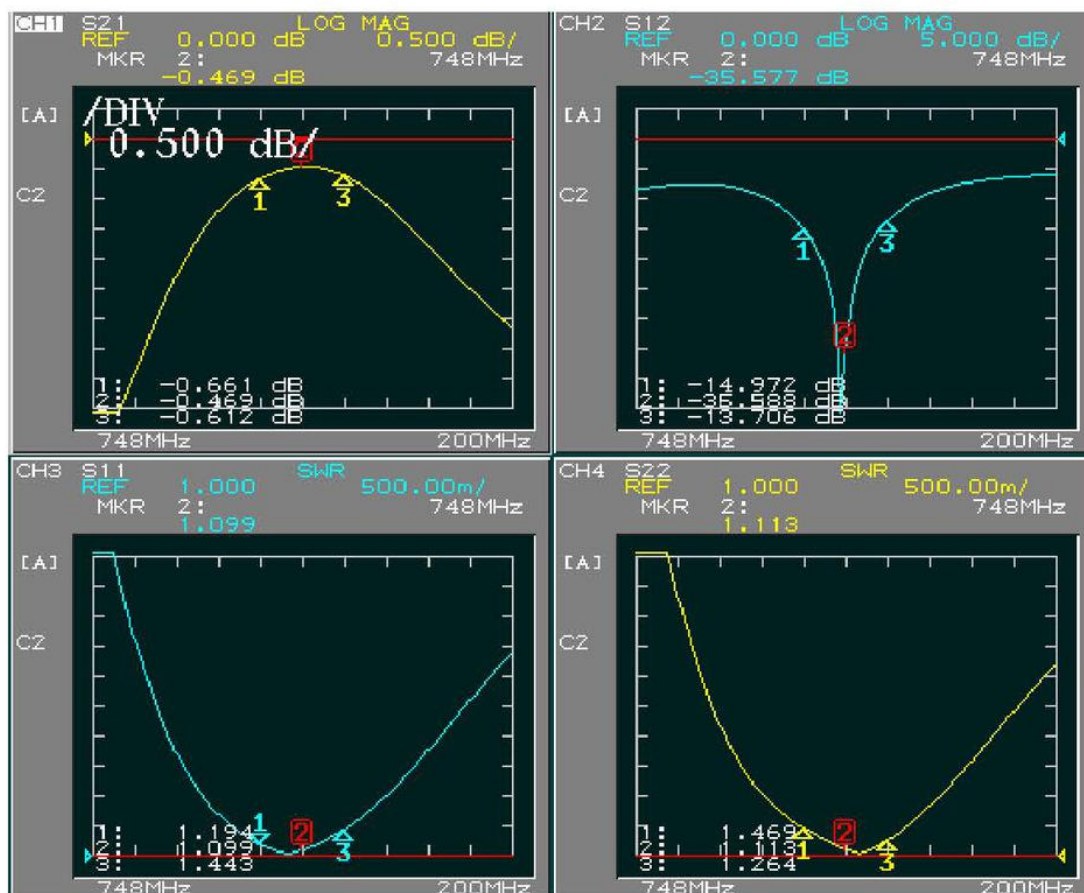
6. ELECTRICAL CHARACTERISTICS

ITEM	UNIT	SPECIFICATION	REMARKS
Frequency Range	MHz	728 ~ 768	
Operating Temp.	°C	-35 ~ +85	
Insertion Loss	dB max.	0.90	
Isolation	dB min.	12	
VSWR	max.	1.6	
Rating Power	W max.	10	
Reflection Power	W max.	1	
Impedance	Ω	50	

Note

1. Case surface temperature should be less than 100°C under the operation.
2. The measurement are done with PARTRON's standard test fixture, with which the insertion loss error within 0.15dB.
3. Agilent 8753 series N/A & Advantest R3767CH is used in the measurements.

7. PLOT GRAPH



8. MECHANICAL SPECIFICATION



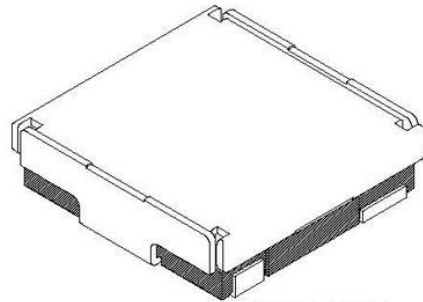
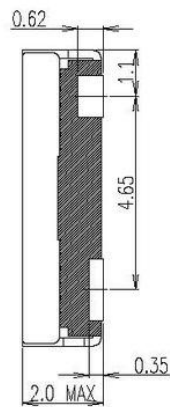
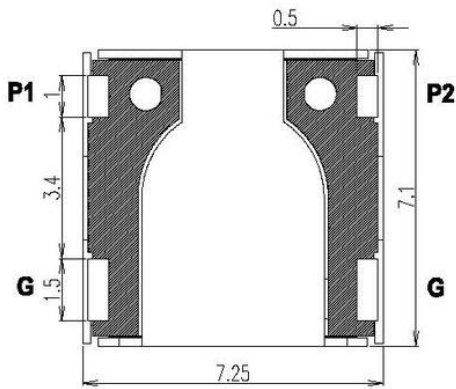
P1,P2 : IN/OUT Port
G : Ground
G748 : 748MHz[fc]
●S33 :
●S33 L type [signal flow direction P1 → P2]
S33● R type [signal flow direction P2 → P1]
 [or left side dot is L type,
 right side dot is R type]

S Partron co., Ltd.

3 Year [2003]

3 Month [March]

(Oct, Nov, Dec denoted as **O,N,D**)

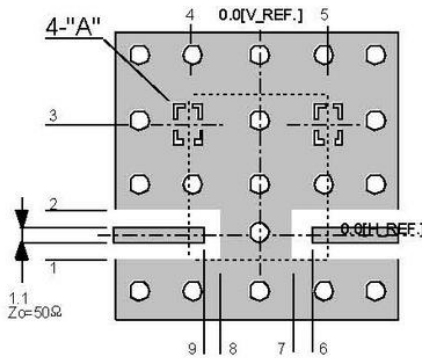


Scale : N/S

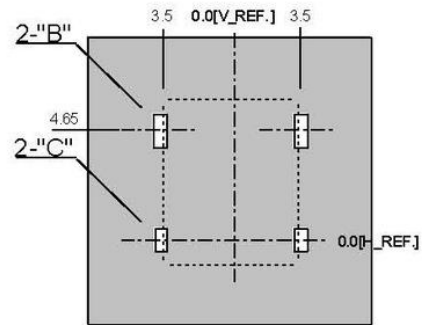
Unit : mm

Tolerance : ± 0.2

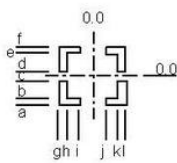
9. RECOMMENDED SOLDERING PATTERN



recommended land pattern

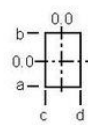


recommended resist pattern

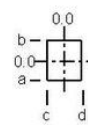


detail_A

symbol	dimensions	symbol	dimensions
a	1.0	g	0.6
b	0.8	h	0.4
c	0.3	i	0.2
d	0.3	i	0.2
e	0.8	k	0.4
f	1.0	l	0.6



detail_B



detail_C

symbol	detail "B"	detail "C"
a	0.8	0.6
b	0.8	0.6
c	0.6	0.6
d	0.6	0.6

NOTE

1. PCB Material : FR-4 0.8t [copper clad 70um]
2. Gray sections : Copper pattern , Solder mask pattern
3. Bottom side : Ground Plane
4. UNIT : m/m

10. RELIABILITY SPECIFICATION

10-1 Environment test

ITEM	TEST CONDITION	LIMIT
High temperature resistance	+85°C ± 3°C , 120hr ± 2hr	*After the test, specimen would be kept at 25°C ± 5°C for 1 hours *Specimen shell meet the electrical specification
Low temperature resistance	-40°C ± 3°C , 120hr ± 2hr	
Humidity resistance	+70°C ± 3°C , RH 90~95% , 120hr ± 2hr	

10-2 Thermal shock test , reflow test

ITEM	TEST CONDITION	LIMIT
Thermal shock	-40°C ± 3°C (2Hr) ↔ +85°C ± 3°C (2Hr) , cycle : 15cycle	SAME as 10-1
Reflow	Continuous 2times of Pre heating : 140 ± 10°C , 60 ~ 120 sec Peak heating : 240°C , 10sec Max	