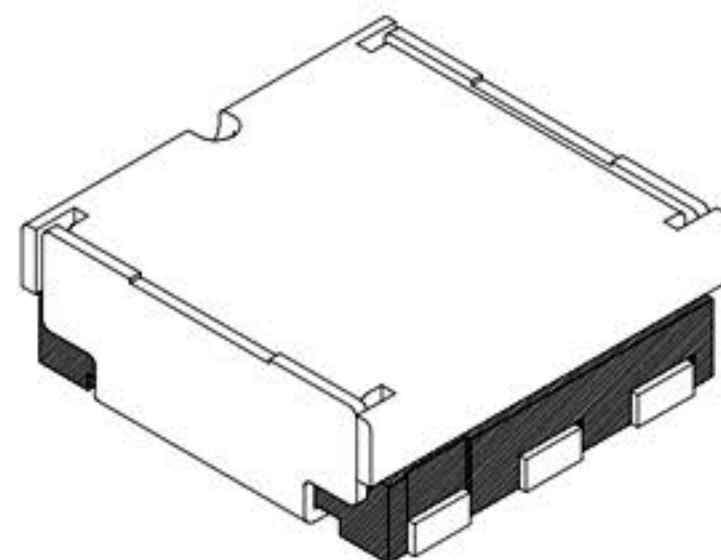
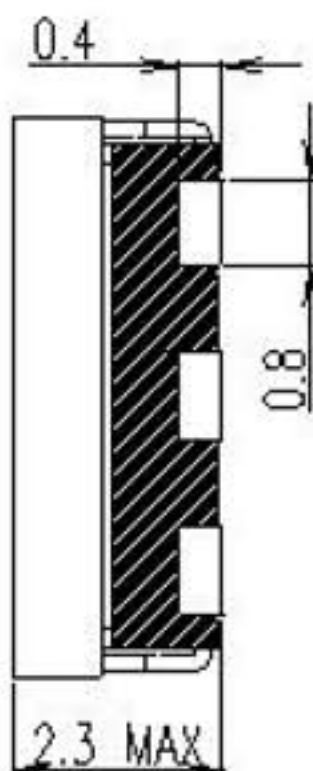
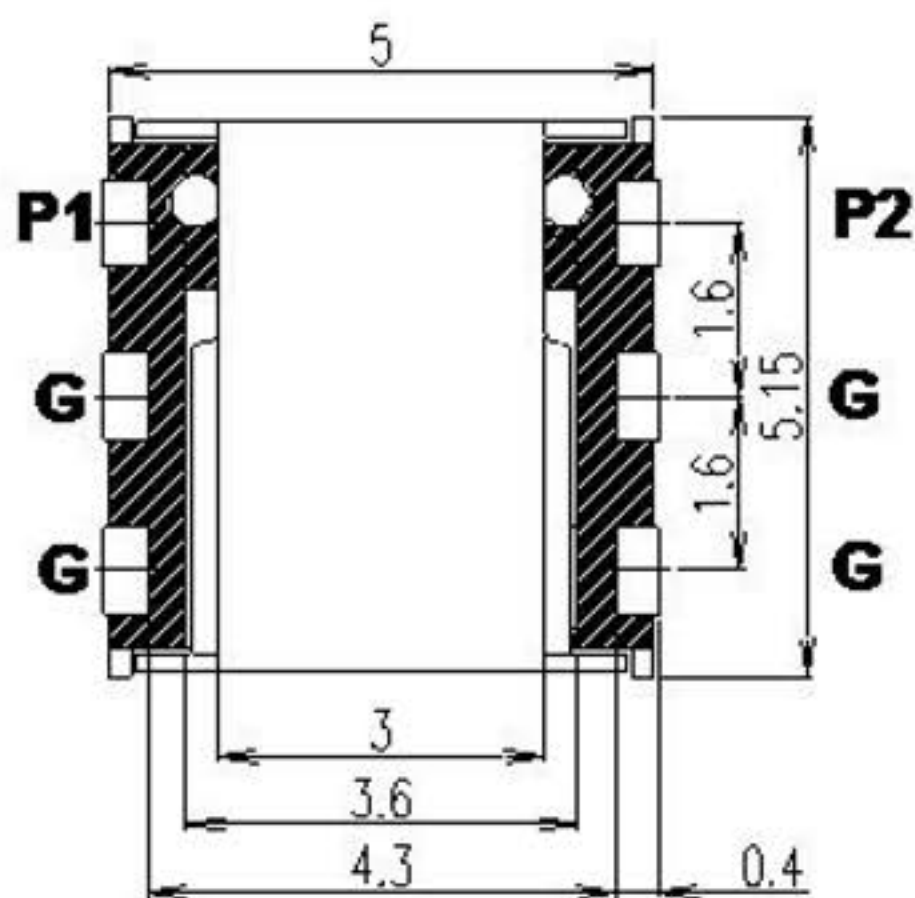


SMD ISOLATOR
[P/N : IL05AL(R)2450A1E]



P1,P2 : IN/OUT Port
 G : Ground
 2450 : 2450MHz[fc]
 ●P01 :
 ●P01 L type [signal flow direction P1 → P2]
 P01● R type [signal flow direction P2 → P1]
 [or left side dot is L type,
 right side dot is R type]
 0 Year [2010]
 1 Month [January]
 (Oct,Nov,Dec denoted as O,N,D)



Scale : N/S
 Unit : mm
 Tolerance : ±0.2

ELECTRICAL SPECIFICATION	
Frequency Range	2400 ~ 2500 MHz
Operating Temp.	-35 ~ +85 °C
Insertion Loss	0.7 dB max.
Isolation	12 dB min.
VSWR	1.5 max.
Forward Power	10 W max.
Reverse Power	2 W max.

PART NUMBERING	
IL 05 A L(R) 2450 A1 E	
IL	: Isolator Group
05	: Size [5*5*2.3t]
A	: Fabrication condition
L(R)	: Signal direction
2450	: Center frequency [2450MHz]
A1	: Fabrication condition
E	: Embossed plastic reel
* RoHS Compliant(Lead Free)	
- Ver 3.0 (2012.05.01.)	