

# SPECIFICATION

## SHEET FOR APPROVAL

**PRODUCT:** Electro-Magnetic Buzzer

**MODEL NUMBER:** ALP05S



	PREPARED	CHECKED	APPROVED
<b>SIGNATURE</b>	JINMING	JINMING	SEONGDONGJE
<b>DATE</b>	2018-07-01	2018-07-01	2018-07-01
<p><b>CUSTOMER CONFIRMATION:</b> _____</p> <p><b>SIGNATURE:</b> _____</p> <p><b>DATE:</b> _____</p>			



(주)하나세미컴 HANASEMICOM CO., LTD.

# SPECIFICATION

## Electro-Magnetic Buzzer (With built-in oscillating circuit)

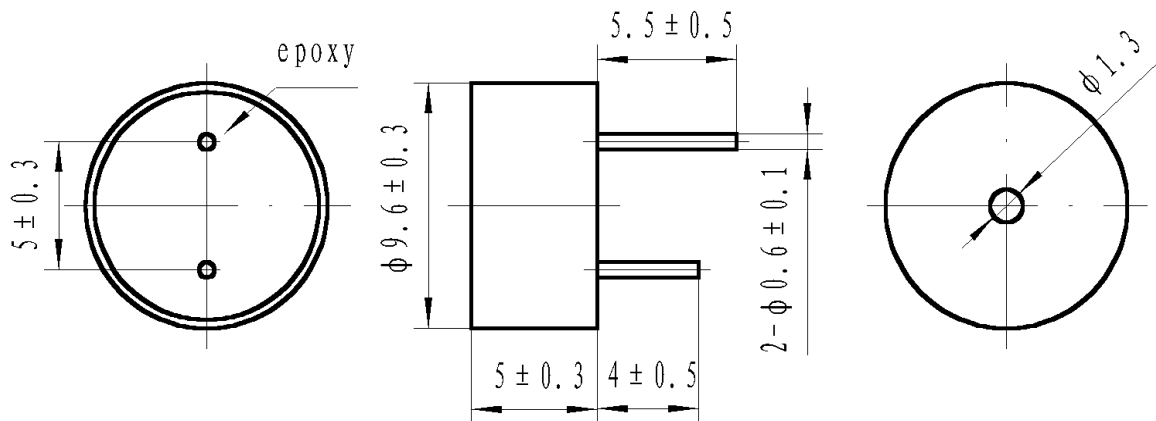
1	Model No.	<b>ALP05S</b>
2	Rated Voltage (VDC)	5
3	Operating Voltage (VDC)	3~7
4	*Resonant Frequency (Hz)	$2700 \pm 300$
5	*Sound Output at 10cm (dB)	$\geq 83$
6	*Current Consumption (mA)	$\leq 30$
7	Operating Temperature (°C)	-25~+70
8	Storage Temperature (°C)	-30~+80
9	Weight (g)	0.8

\*Applying rated voltage (VDC)

### Dimensions

Unit: mm

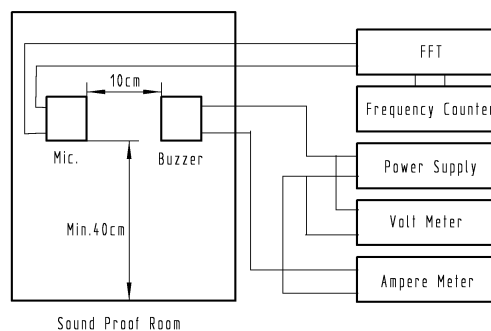
Tolerance:  $\pm 0.5\text{mm}$  Except Specified



\*Housing Material: PPO

### Measurement

The electrical characteristics shall be measured at 20 to 25 & relative humidity 55% max.



Drawing by	Checked by	Approved by	Date	