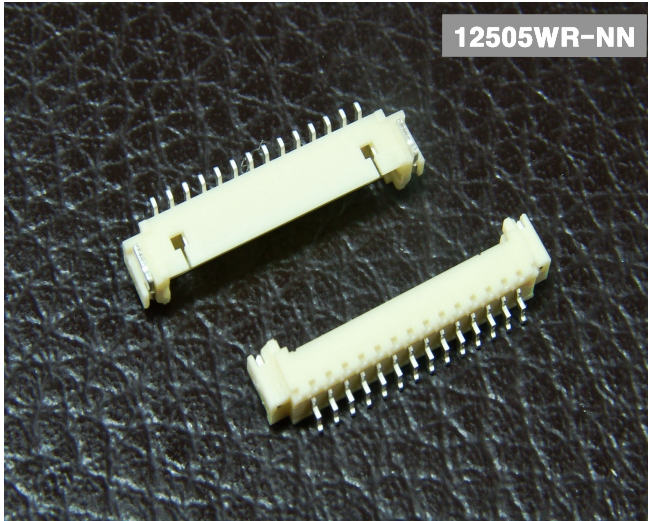


# 1.25mm

(0.049") PITCH CONNECTOR



12505WR-NN

## Material

I/NO	DESCRIPTION	MATERIAL
1	WAFER	NYLON46 or PA6T, UL94V-0
2	PIN	Phosphor Bronze, Tin-plated
3	HOOK	Brass, Tin-plated

**Wire to Board  
Connectors**

Wafer

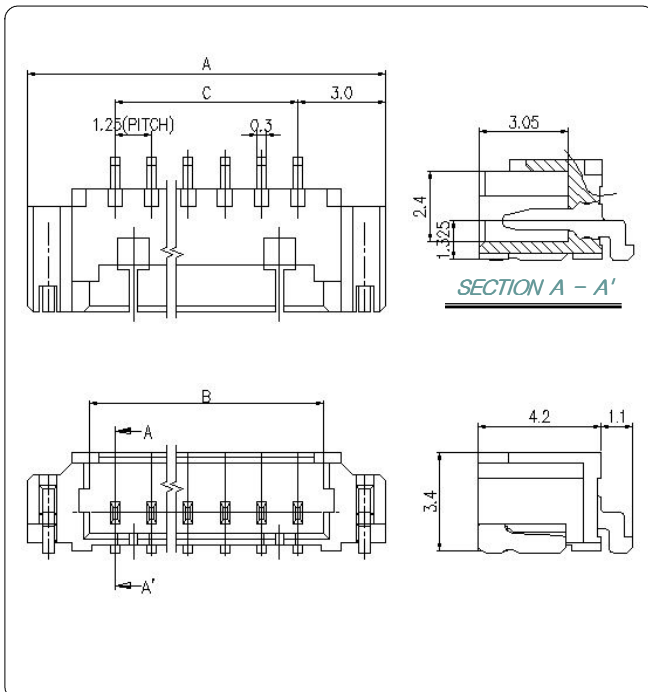
Emboss  
Type

SMT  
Type

Right  
Angle

## Available Pin

PARTS NO.	A	B	C
12505WR-02	7.25	3.05	-
12505WR-03	8.50	4.30	2.50
12505WR-04	9.75	5.55	3.75
12505WR-05	11.00	6.80	5.00
12505WR-06	12.25	8.05	6.25
12505WR-07	13.50	9.30	7.50
12505WR-08	14.75	10.55	8.75
12505WR-09	16.00	11.80	10.00
12505WR-10	17.25	13.05	11.25
12505WR-11	18.50	14.30	12.50
12505WR-12	19.75	15.55	13.75
12505WR-13	21.00	16.80	15.00
12505WR-14	22.25	18.05	16.25
12505WR-15	23.50	19.30	17.50



## Specification

ITEM	SPEC
Voltage Rating	AC/DC 125V
Current Rating	AC/DC 1A
Operating Temperature	-25°C ~ +85°C
Contact Resistance	30mΩ MAX
Withstanding Voltage	AC250V/1min
Insulation Resistance	100MΩ MIN
Applicable Wire	-
Applicable P.C.B	0.8 ~ 1.6mm
Applicable FPC/FFC	-
Solder Height	0.15mm
Crimp Tensile Strength	-
UL FILE NO	E108706

